



INSTRUCTION MANUAL

Professional Restoration Dehumidifier

O^{35p}



THANK YOU FOR CHOOSING THIS PRODUCT, SAVE THIS MANUAL FOR FUTURE REFERENCE

Table of Contents

Professional Dehumidifier	3
Safety Instructions	3
Before Operating	4-5
Placement	4
Set Unit Upright	4
Connect the Drain Hose	4
Vent Hose Setup(Optional)	5
Grounding & Electrical Requirements	5
Parts Description	6
How to Use	6
Control Panel	6
Main Menu Display	7-8
Plug Into the Power	7
Switch On/Off the Unit	7
Purge	8
Display Menu	8
Menu Selection	8
User Setting Menu Display	8-10
Job Hours	9
Life Hours	9
Temperature of Inlet Outlet	9
Humidistat Mode	9
Temp Units	9
Coil Temp	10
Comprss Current	10
Code Message	10
Cleaning and Maintenance	11
Trouble Shooting	12
Specifications	12

Professional Dehumidifier

Please read the instruction manual before using the product and then save it for future reference. We reserve the right for any error in text or images and any necessary changes made to technical data.

- Failure to abide by this warning could result in an explosion, death, injury and property damage.
- Any person who is involved with working on or breaking into a refrigerant circuit should hold a current valid certificate from an industry-accredited assessment authority, which authorizes their competence to handle refrigerants safely in accordance with an industry, recognized assessment specification.
- Servicing shall only be performed as recommended by the equipment manufacturer. Maintenance and repair requiring the assistance of other skilled personnel shall be carried out under the supervision of the person competent in the use of flammable refrigerants.

Safety Instructions



Warning

- Check the voltage and make sure it meets the technical specification of the machine.
- Children shall not play with the machine. Cleaning and user maintenance shall not be made by children without supervision.
- The machine must always stand upright.
- The machine must stand upright for at least 1 hour before it is used for the first time or after transportation.
- Never sit, cover or place foreign objects on the product.
- Make sure that the air filter is clean and fitted correctly before turning the unit on.
- Never use the product if the mains lead, plug or any other part is damaged or does not work properly.
- Never try to dismantle or repair the machine yourself.
- Never plug in or unplug the product with wet hands.
- Never insert foreign objects into the machine.
- Unplug the product immediately if it emits strange noises, odours or smoke.
- Make sure that no foreign objects cover or block the air inlet/outlet. Blockages can lead to fires, electric shocks or damage to the product.
- Unplug the product when it is not in use.
- Before the machine is moved, make sure it is switched off, unplugged.
- If the supply cord is damaged, it must be replaced by the manufacturer, its service agent or similarly qualified person in order to avoid a hazard.
- The appliance shall be installed in accordance with national wiring regulations.
- The machine is designed A-weighted sound pressure level below 70 dB(A).

Before Operating

Placement

For best result, operate your dehumidifier in an enclosed area. Close all doors and windows that open to the outside to maximize the unit's water removal efficiency. Also, keep traffic through the drying chamber to a minimum. Place the unit against the wall, away from obstructions, and keep it away from anything that could block airflow into and out of the unit. For more information about creating an optimum drying environment.

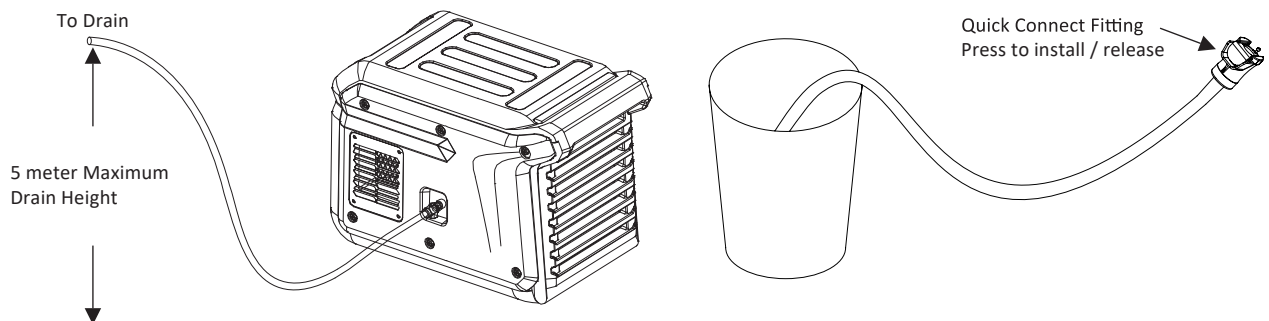
Set Unit Upright

Always transport and place the machine in upright position, if the machine was tilted on its side or upside-down during transportation, the oil from the compressor flows into the refrigerant coils reducing the ability of the dehumidifier to function. Letting the dehumidifier stand upright for at least 1 hour allows the oil to flow back into the compressor. The machine must be positioned upright on a level surface during use.

Connect the Drain Hose

The machine is equipped with a drain hose. This hose is equipped with a quick-connect fitting for quick attachment. Unwrap the entire hose and place the unattached end in a sink, drain, bucket or outside-anywhere that water can drain out safely. If you use a bucket or other receptacle for water collection, check it regularly to prevent spills.

NOTICE: Uncoil and straighten the entire drain hose. Do not leave any of part of the hose coiled on the machine and do not place the end of the hose higher than 3.5 meter. Also check for kinks, or obstructions that would restrict the flow of water. Failure to do so may cause a water backup in the pump resulting in leakage.

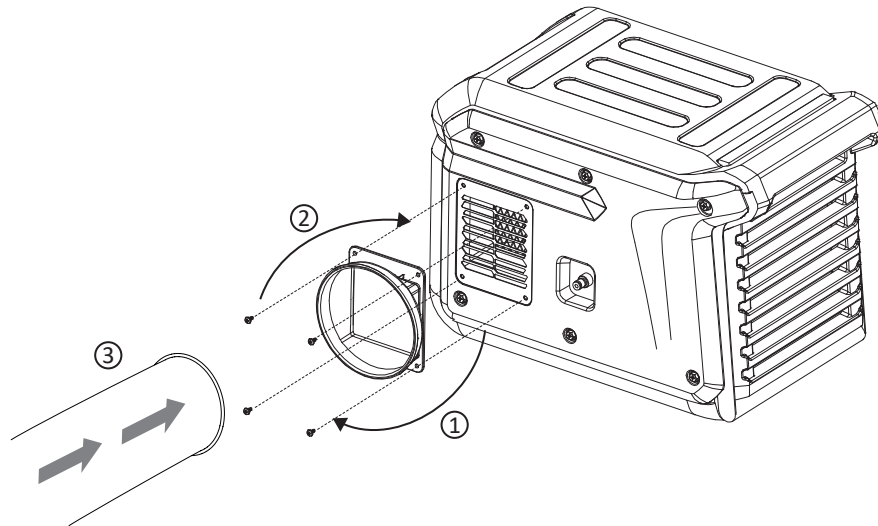


Before Operating (Continue)

Vent Hose Setup (Optional)

External vent hose is optional for necessary drying requirements.

- ① To screw off four screws on the air outlet duct
- ② Replace the intake adapter
- ③ Attach the vent hose to the intake adapter



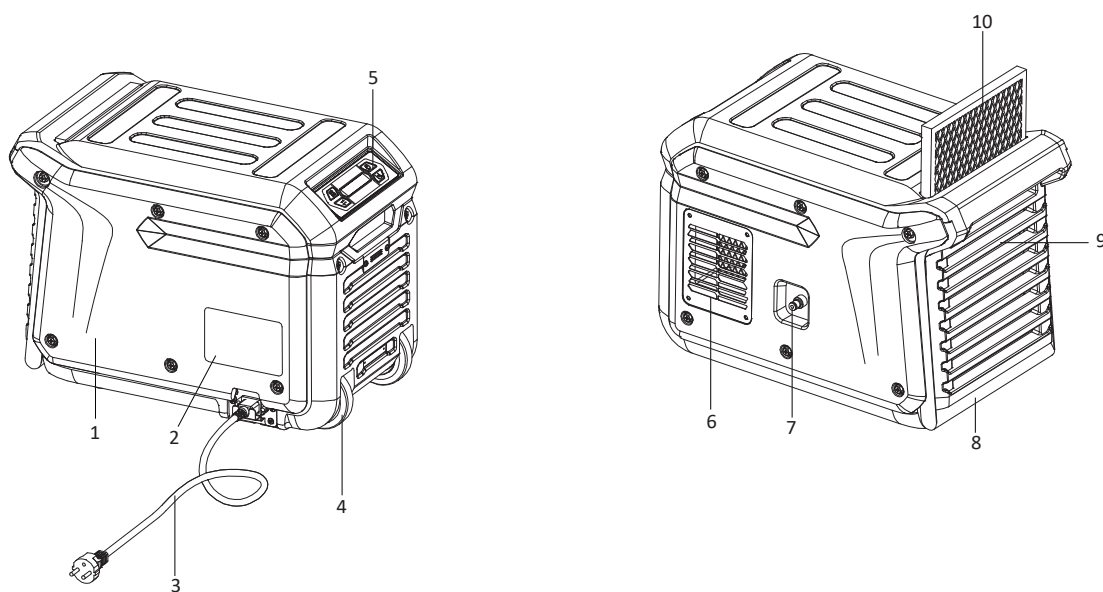
Grounding & Electrical Requirements

The plug must be connected to a properly grounded outlet. If the machine should electrically malfunction or break down, grounding provided a path of least resistance for electric current to reduce the risk of electric shock.

The machine must be plugged into an appropriate outlet that is properly installed and grounded in accordance with all local codes and ordinances.

Do not modify the plug provided. If it will not fit the outlet, have the proper outlet installed by a qualified electrician.

Parts Description

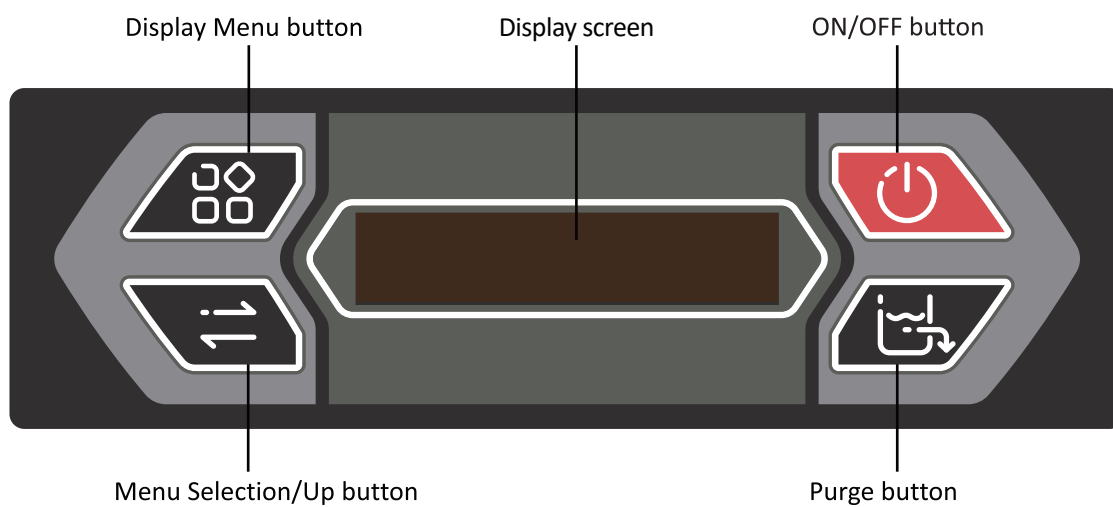


- 1. Housing
- 2. Label Area
- 3. Power Cord
- 4. Wheels
- 5. Control Panel

- 6. Exhaust
- 7. Drainage Outlet
- 8. Handle
- 9. Air Inlet
- 10. Filter

How to Use

Control Panel



Main Menu Display

Plug Into the Power

When unit is plugged in to the power, the unit will start the self-diagnosis procedure, the display will show below. If the unit is normal to start, the display will then show the STAND BY as below.

S	E	L	F	-	D	I	A	G	N	O	S	I	S
								

				S	T	A	N	D	B	Y			
										0	0	0	: 0 0



Switch On/Off the Unit

Press ON/OFF button to switch on the unit, the unit will start working, the display shows UNIT ON, working time 00:00, set value (00%), current temperature 00°C and current humidity 00%

U	N	I	T		O	N		0	0	0	:	0	0		
(0	0	%)				0	0	°	C		0	0	%

If the display reads PLEASE WAIT COMP DELAY and performs a numeral count down from a maximum of 180 seconds to 0, this is the compressor delay protection. Once the unit completes the compressor delay protection, the unit will start working immediately.

	P	L	E	A	S	E		W	A	I	T					
	C	O	M	P	.			D	E	L	A	Y		0	0	0

Main Menu Display (Continue)



Purge

Press the PURGE button, the unit will pump for 50 second to manually empty water from the condensate pump reservoir.

During normal operation, the pump purges 90 seconds when the reservoir is full. The display will flash P in top right corner.

NOTICE: Always press the PURGE button prior to moving the unit.

U	N	I	T		O	N		0	0	0	:	0	0		P
(0	0	%)				0	0	°	C		0	0	%



Display Menu

Press the DISPLAY MENU button cycle through the display of additional dehumidifier conditions and User Settings. To return to the main menu, wait for 10 seconds no operation or keep pressing DISPLAY MENU button till it back to the main menu.



Menu Selection


Press the MENU SELECTION button to change / check the value on the “User Setting Menu Display”. The MENU SELECTION button acts as the UP button for adjusting the set value for humidistat mode operation.

User Setting Menu Display

User can use DISPLAY MENU and MENU SELECTION buttons to check and set some functions. Each press of DISPLAY MENU button, it will show the next parameter (see list below). When you reach the parameter you wish to adjust, press the MENU SELECTION button, the arrow shows in left top corner means you can adjust the parameter or the screen is locked now . Press DISPLAY MENU button to exit the locked interface.

User Setting Menu Display (Continue)

Job Hours

Press  to reset working hours to zero.

			J	O	B		H	O	U	R	S				
	R	E	S	E	T	>				0	0	0	:	0	0

Life Hours

Shows total unit working hours. Value cannot be modified.


			L	I	F	E		H	O	U	R	S		
			0	0	0	0	0	:	0	0				

Temperature of Inlet Outlet

Shows current temperature and relative humidity of inlet and outlet.

		I	N	L	E	T			O	U	T	L	E	T		
		0	0	°	C	0	0	%		0	0	°	C	0	0	%

Humidistat Mode

At ON mode, press  to adjust the set value from CO-30%-35%-40%-45%-50%-55%-60%-65%-70%-75%-80%-85%-90%.

CO means continuous dehumidifying.

		H	U	M	I	D	I	S	T	A	T		M	O	D	E
								O	N	>				5	5	%

Temp Units

Shows current temperature scale. Press  to select Fahrenheit or Centigrade scale.

			T	E	M	P		U	N	I	T	S		
							°	C	>					

User Setting Menu Display (Continue)

Coil Temp

Shows the evaporator coil temperature.

					C	O	I	L		T	E	M	P			
								0	0	°	C					

Comprss Current

Shows the compressor current draw in amps.

		C	O	M	P	R	S	S		C	U	R	R	E	N	T
							0	.	0	A						

Code Message

If the unit onboard diagnostics discover a problem, the unit will display the error message, see the code message below.

			E	1			E	2			E	5				P
			E	3			E	4			E	C				

Code Message	Explanation
E1	Temperature sensor error
E2	Inlet sensor error
E3	Cooling system failure
E4	Pump error
E5	Outlet sensor error
EC	Overcurrent Protection
D	Defrosting
P	Purging

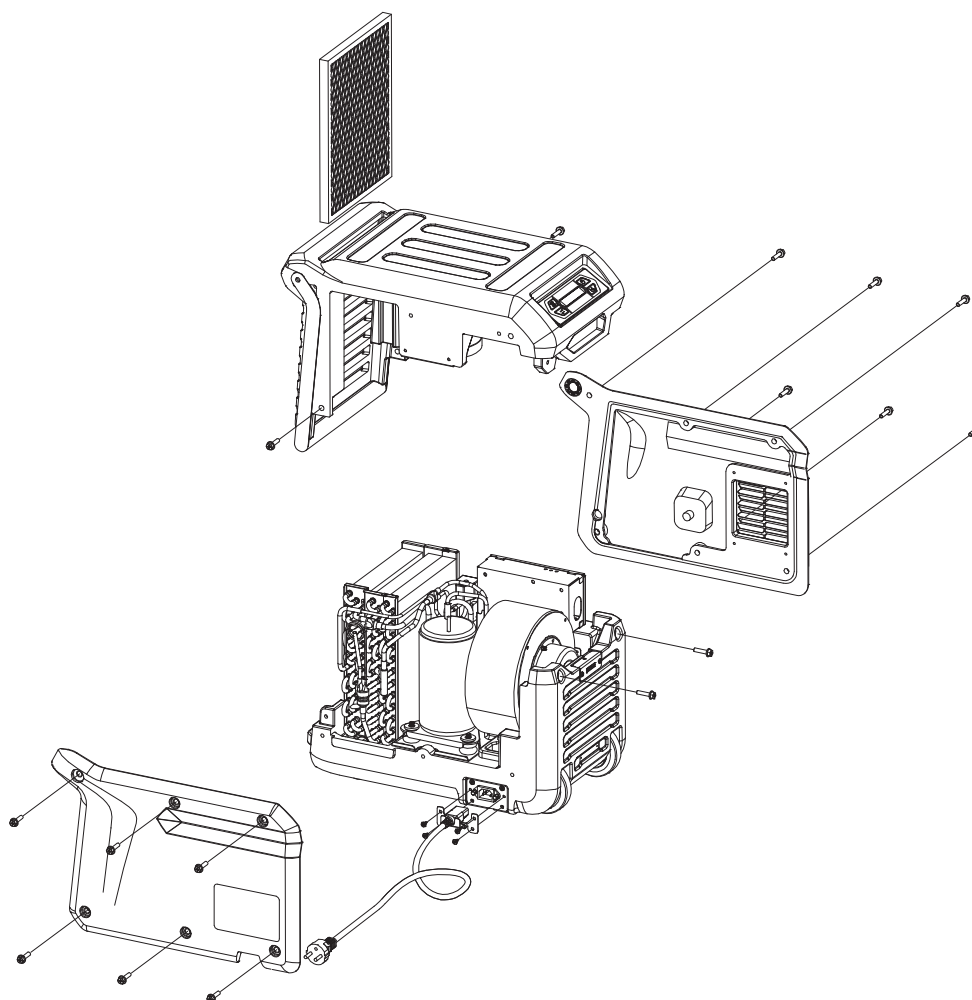
Cleaning and Maintenance

Warning! Unplug unit before serving.

NOTICE: To ensure the effectiveness of the dehumidifier, keep the filter, coils and the air inlet out grille clean. To reassemble, follow the follow steps in reverse.

- ① Remove the drain hose from the drainage outlet.
- ② Remove the vent hose if connected.
- ③ Take out the filter, clean and wash the filter.
- ④ Use a soft cloth to gently wipe the outer case to remove dust.
- ⑤ Remove the housing (unscrew the bolts shown on each panel).
- ⑥ Vacuum clean the dust on the coils, take care not to damage the fins.

NOTICE: Protect the sensor from impact and do not expose them to water.



Trouble Shooting

Fault	Cause	Solution
Water drips out when moving unit	Unit was unplugged before purging was complete	Purge unit before moving
Unit does not operate	No power to machine	Plug in unit. Check power at outlet and base of unit
	Unit not switched on	Switch on the unit
	The set humidity level has been reached	Choose CO if you still want to dehumidifying after the settled value reached
Water on the floor	The drain hose is loose	Tighten the connection of the drain hose.
Unit collect too little water	Room temperature is too low	Increase room temperature
	The doors and windows are open	Close all doors and windows
	The unit has not been used long enough	Allow the unit to run more time
	The air filter, coils are dirty	Check the filters and coils and clean

Specifications

Model	o ^{35p}
Water Removal Capacity	35L/day (30°C RH80%)
	20L/day (27°C RH60%)
Voltage/Frequency	220-240V~ 50Hz
Rated Power	520W
Rated Current	2.5A
Air Flow	330m ³ /h
Noise	50dB(A)
Operation Temperature	1~38°C
Refrigerant	R410A/0.255kg
Net Weight	21.5 kg
Dimensions(W × H × D)	310 × 370 × 500 mm
Power Cord	5 meters
Drain hose	5 meters